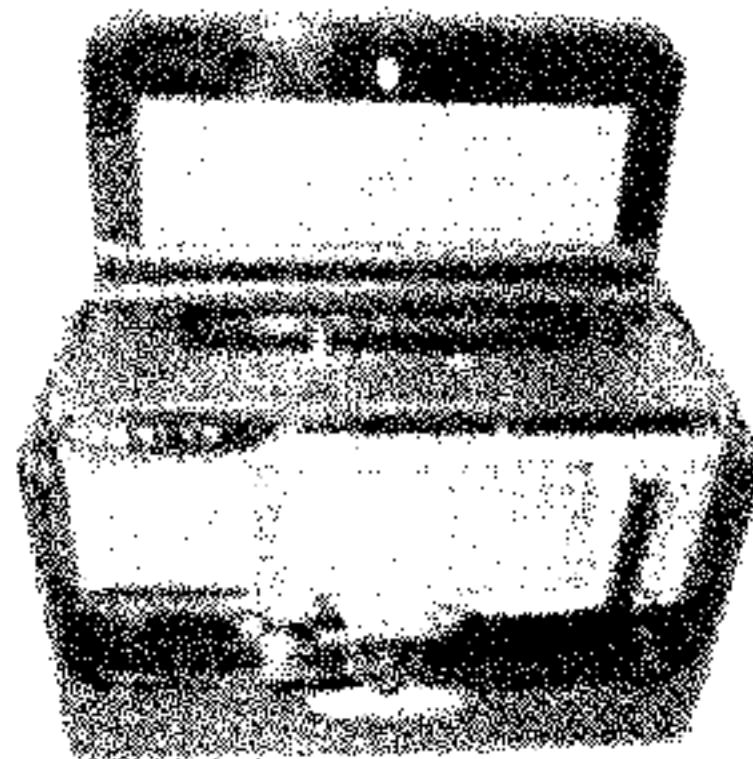


Trans - Oceanic Super de Luxe

PORTABLE

MODELS A600 AND A600L

CHASSIS 6A40 AND 6A41



SERVICE INSTRUCTIONS

ZENITH RADIO CORPORATION

Chassis 6A40 features a high gain tuned RF stage ahead of a conventional superheterodyne circuit with band spread tuning on the 31, 25, 19 and 16 meter bands. There are two continuous coverage bands, one covering 2-4 megacycles and one covering 4-9 megacycles.

If removal of the chassis from the cabinet ever becomes necessary this should be done with care.

The alignment of chassis 6A40 is conventional. However, care must be exercised when making adjustments, and the alignment procedure must be followed exactly. Set the chassis over a metal plate approximately the same distance the battery pack is from the bottom of the chassis when it is in the cabinet. This procedure will introduce the approximate amount of metal in the field of the RF and oscillator coils as when the chassis is in the cabinet. A signal generator of reasonable accuracy and good attenuation must be used. An output meter (AC) of the copper oxide rectifier type with a range of 1 to 30 volts in several steps is necessary to get accurate output readings. Alignment wrenches should be of the non-metallic type, especially when making adjustments of the higher frequencies.

The I.F. transformers incorporated in this receiver are of the new permeability tuned type. The advantage of an I.F. transformer of this type is its extreme stability under various humidity and temperature conditions. The upper coil is the secondary and the lower the primary. When adjusting these I.F. transformers the tuning wrench 6B-19 can be inserted into the top slug, rotated until maximum output is obtained and then dropped down to the lower slug and the same operation repeated. The tuning wrench is so designed that tuning one slug does not affect the adjustment of the other.

Thermal Regulator Tube 50A1 is an automatic rheostat designed to keep the current in a circuit at a definite value. Should the supply voltage change, either upward or downward, the Thermal Regulator will automatically increase or decrease its resistance to compensate for this change and keep the current thru the controlled circuit at a constant value.

As used in the A600, the controlled circuit consists of the filament of the five vacuum tubes connected in series. A constant current thru these filaments is equivalent to a constant voltage applied across them.

The Thermal Regulator tube is capable of performing its function because of its peculiar electric thermal characteristics. Basically the tube consists of a fine iron wire filament hermetically sealed in a hydrogen atmosphere. By balancing the temperature resistance curve of the wire against the thermal conductivity curve of the gas, it is possible to make a unit that automatically changes its resistance to keep a constant current flowing over a large range of voltage variation.

By keeping the filament current of the vacuum tubes constant at 50 milliamperes we extend the line voltage range over which the set will operate from 90 to 130 volts and increase tube life by an indefinite amount.

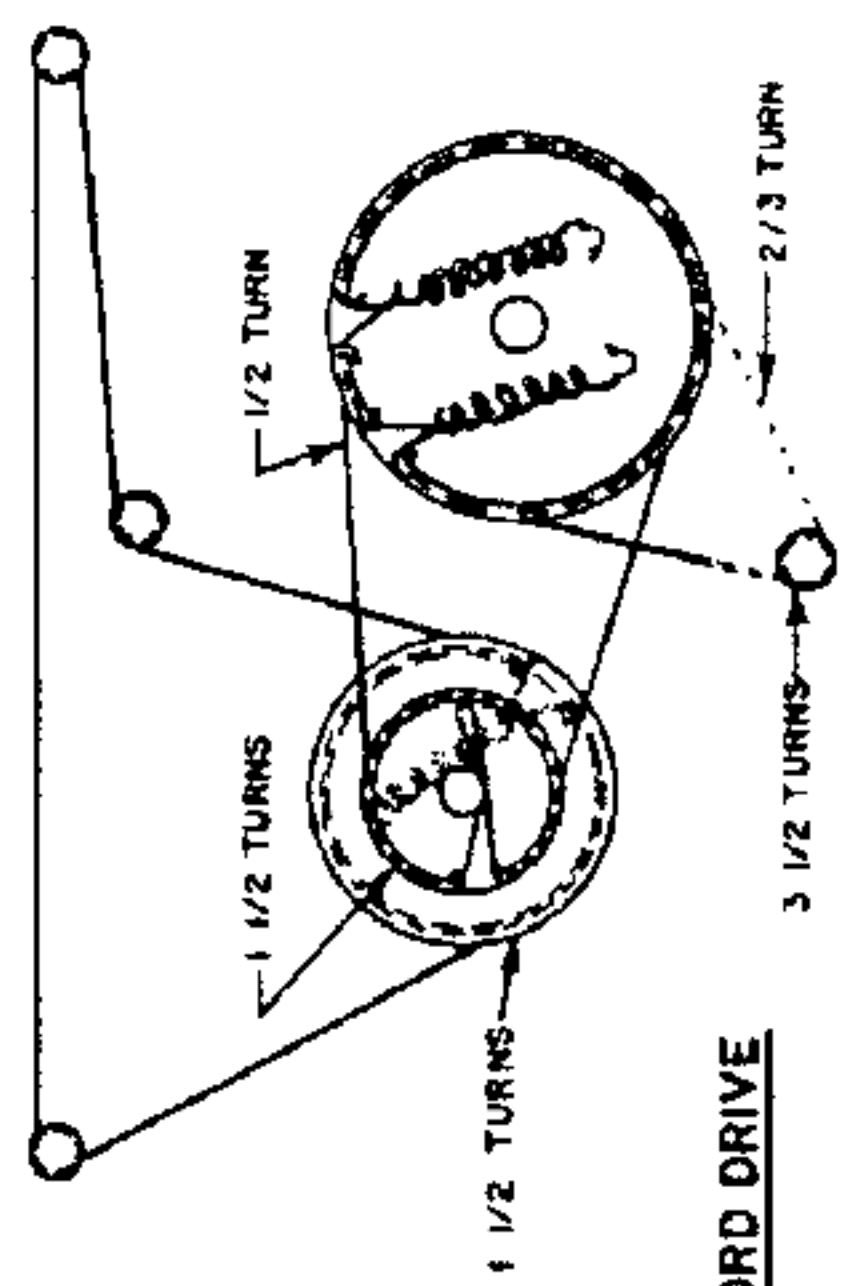
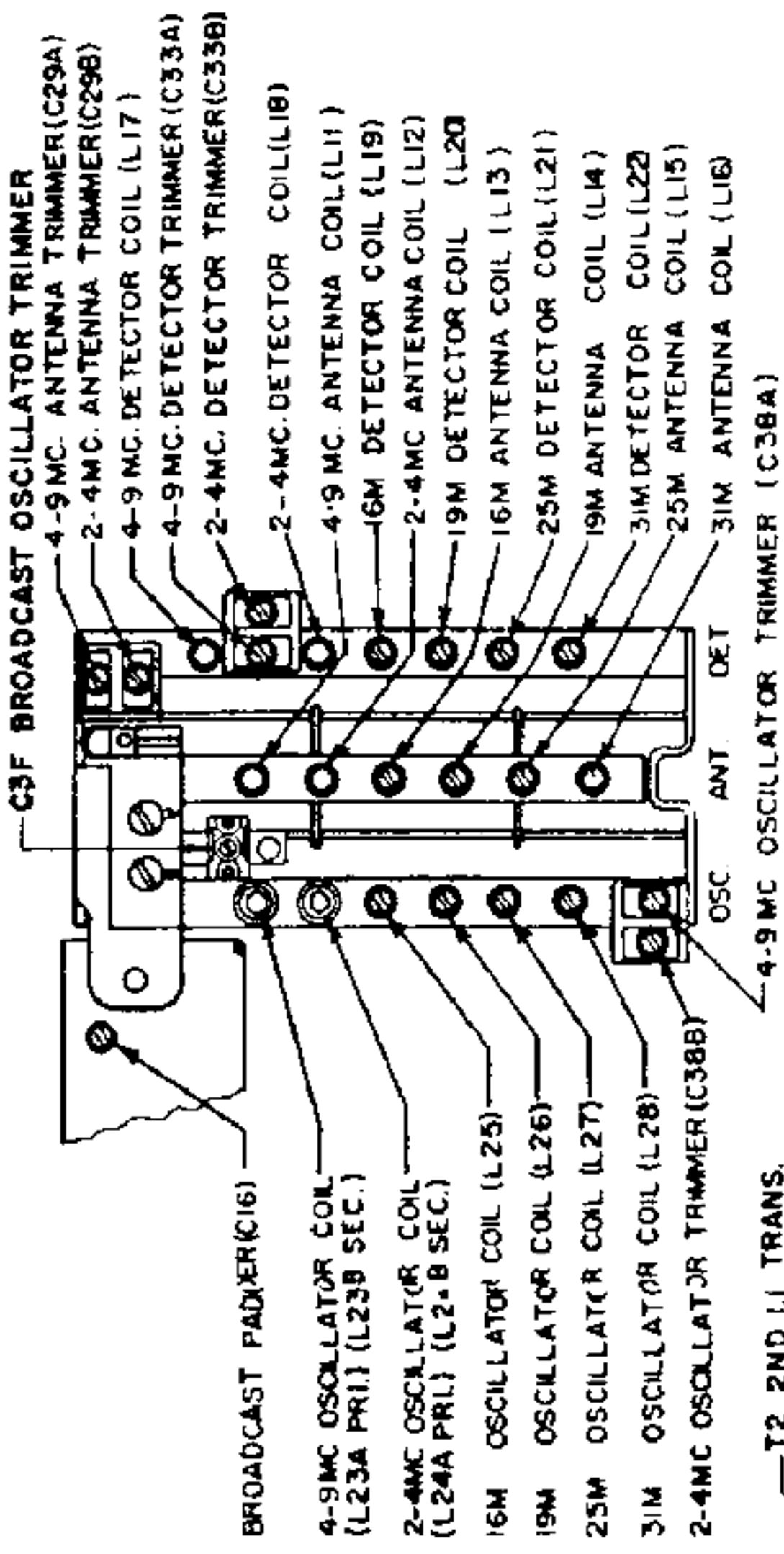
ALIGNMENT PROCEDURE

OPER.	CONNECT OSCILLATOR TO DUMMY ANTENNA	INPUT SIGNAL FREQ.	BAND	SET DIAL AT	TRIMMERS	PURPOSE
1	Positive lead of signal generator to converter grid through a .1 Mfd. condenser & negative lead to negative filament of 1L6 tube.	455 Kc	BC	600 Kc	L 6,7,8,9	Align I.F.
2	One turn loop coupled loosely to broadcast wavemagnet	1600 Kc	BC	1600 Kc	C3F	Set oscillator to scale
3		1400 Kc	BC	1400 Kc	C3D	Alignment of BC Det.
4		1400 Kc	BC	1400 Kc	C3B	Alignment of BC ant.
5*		600 Kc	BC	600 Kc	Rock C16	Alignm't of BC at 600 Kc
6		<p>Approximate to to to to to to to to to to to to to to to</p>	8.75 Mc	4-9 Mc	8.75 Mc	C38A, C33A, C29A
7*	4.25 Mc		4-9 Mc	4.25 Mc	Rock L23B	
8	REPEAT OPERATIONS 6 & 7					
9	3.9 Mc		2-4 Mc	3.9 Mc	C38B, C33B, C29B	
10*	2.1		2-4 Mc	2.1 Mc	Rock L24B	
11	REPEAT OPERATIONS 9 & 10					
12	17.8 Mc		16 Meters	17.8 Mc	L 25, L 19, L 13	
13*	15.2		19 Meters	15.2	L 26, L 20, L 14	
14	11.8 Mc		25 Meters	11.8	L 27, L 21, L 15	
15*	9.6 Mc		31 Meters	9.6 Mc	L 28, L 22, L 16	

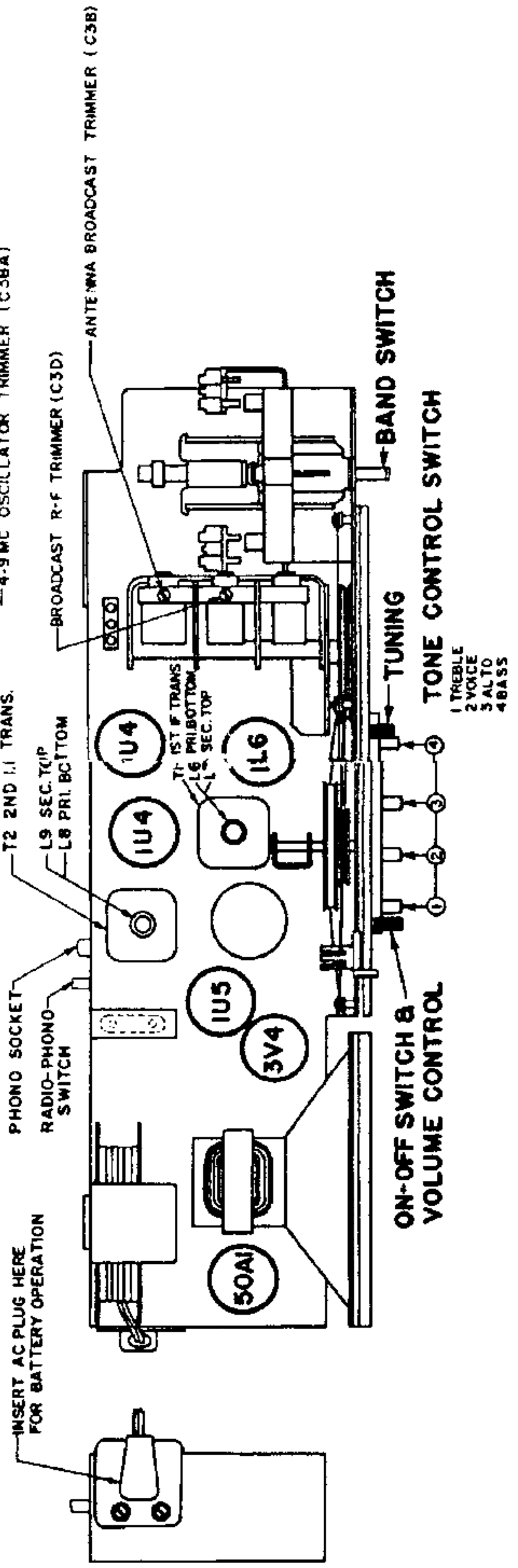
* NOTE: Rock Tuning Condenser When Making Alignment Under Operations 5, 7, 10, 12, 13, 14 & 15.

NOTE: If Trimmers C3F, C3D, C3B are adjusted after procedures No. 2 through No. 15 are completed, it will be necessary to repeat alignment procedures No. 2 through No. 15.

REAR VIEW OF BAND SELECTOR SWITCH.



DIAL CORD DRIVE



Tube, Trimmer Location and Dial Cable Drawing

CHASSIS PARTS LIST

		<u>Chassis Parts</u>	Models A600 and A600L Chassis 6A40 and 6A41
<u>Part No.</u>	<u>Dia. No.</u>	<u>Description</u>	<u>Price</u>
12-1825		Bandswitch Mtg. Brkt. (part of S-40856)	.20
12-1873		Bracket (part of S-40856)	.05
12-2052		Dial Light Brkt. (part of S-20793)	.10
12-2053		Dial Support Brkt.	.06
12-2054		Pointer Shaft Brkt.	.15
12-2056		Tuning Shaft Brkt.	.02
15-57		Cap & Insulator (part of S-15785)	.10
19-163		Coil Ret. Clip (1 part of Ea. S-17714, 17715, 17716, 17717, 17718, 17719, 17720, 17721, 17726, 17728, 17729, 17731, 23856, 23858, 40860, 40870, 40871, and 40872)	.02
19-189		Coil Mtg. Clip	.02
19-249		Coil Mtg. Clip	.03
22-3	C6,13,23,25,34	.01 Mfd. Ceramic Disc 500V	.26
22-4	C2	.0047 Mfd. Ceramic Disc 500V	.26
22-6	C1	470 Mmf. Ceramic Disc 500V	.26
22-11	C21	.0033 Mfd. Ceramic Disc 500V	.25
22-17	C42	.001 Mfd. Ceramic Disc 500V	.25
22-1390	C14	470 Mmf Mica 500V	.26
22-1392	C30	25 Mmf Ceramic 500V	.33
22-1433	C39	2750 Mmf Mica 500V	.65
22-1674	C24	50 Mmf Ceramic 500V	.20
22-1741	C41A,B,C,D	Electrolytic 60/150V 20/150V 40/150V 200/10V	
22-1761	C31	50 Mmf Ceramic 500V	.20
22-1775	C40, 47	.047 Mfd 400V	.26
22-1777	C10	.1 Mfd Paper 200V	.26
22-1778	C46	.047 Mfd Paper 200V	.26
22-1779	C27	.01 Mfd Paper 600V	.26
22-1953	C17	10 Mmf Ceramic 500V	.35
22-2056	C26	12 Mfd Electrolytic 12/150V	1.20
22-2058	C5, 8	270 Mmf Mica 500V	.26
22-2071	C20,43,44	.022 Mfd. Paper 200V	.26
22-2072	C22	.022 Mfd. Paper 400V	.26
22-2126	C15	250 Mmf. Ceramic 500V	.26
22-2218	C11	.001 Mfd 500V	
22-2279	C18, 35	120 Mmf Ceramic 500V	.30
22-2280	C36	120 Mmf Ceramic 500V	.35
22-2282	C16	Broadcast Padder	
22-2284	C33A,B	2 Section Trimmer	.55
22-2329	C28	15 Mmf Ceramic 500 V	.20
22-2379	C49	12 Mmf 500 V	
22-2569	C45	.047 Mfd 600V	.35
22-2720	C48	1.0 Mmf 500V	
22-2726	C4	Broadcast Cond. Trimmer	
22-2929	C3A,B,C,D,E	Gang Condenser and Trimmers	
22-2933	C36A,B	2 Section Trimmer	
22-2934	C29A,B	2 Section Trimmer	
22-2935	C37	.004 Mfd Mica 500V	
26-575		Dial Scale (used on Chassis 6A40)	
26-576		Dial Scale (used on Chassis 6A41)	
54-34		6-32 x 1/4 x 3/32 Hex Nut (1 used on S-22197, 1 Mts. 212-13 and 2 Mt. ea. 95-1148 & 1149)	.01
54-139		3/8-32 x 9/16 Palnut (Mts. 63-2276)	.01
57-1911		Trim Plate (used with 85-543)	.10
57-1986		Scale Background Plate (used on Chassis 6A40)	.75
57-2030		Scale Background Plate (used on Chassis 6A41)	.75
59-300		Dial Pointer	.50
63-2276	R1	Volume Control & Switch	1.81
63-2395	R4A,R4B	1200 Candohm 7 W - 620 Candohm 15 W	
63-2839	R2	130 Ohm 3 W WW 10%	.50
63-2930	R3	700 Ohm 3 W WW 10%	.35
78-274		Electrolytic Socket	.03
78-543	J4	4 Contact Socket (part of S-15785)	.13
78-802	J1	Wavemagnet Ant. Socket	.10
78-806		Miniature Tube Socket	.15

78-807		Miniature Tube Socket (4 used)	.15
78-844	J3	Adapter Socket (220V)	.25
78-846		Noval Miniature Tube Socket	.20
78-890	J5	Connector Socket	.10
80-69		Dial Cord Tension Spring (1 used on Ea. S-20783 and 20805)	.05
80-1091		Dial Cord Tension Spring (used on S-24395)	.08
83-1071		Threaded Ret. Strip (1 part of Ea. S-17714, 17715, 17716, 17717, 17718, 17719, 17720, 17721, 17726, 17728, 17729 & 40860)	.02
83-1880		Ant. Terminal Strip (used on 12-1825)	.20
83-1919		2 Lug Terminal Strip	.05
83-2023		4 Lug Terminal Strip	
83-2307		4 Lug Terminal Strip (part of S-22197)	.06
85-473	S4	3 Position Switch	
85-495	S7	Phono-Radio Switch	.40
85-502	S1	Bandswitch (Part of S-40856)	12.25
85-503	S2	Tone Control Switch	1.00
85-520	S3	Power Change-over Switch	1.00
or 85-543	S3	Power Change-over Switch	1.40
86-33		Terminal (3 used)	.04
93-2		Brass Washer (2 used on Ea. 78-802 and 844)	.01
93-125		Lockwasher (1 Mts. 212-13 and 2 Mt. Ea. 95-1148 & 1149)	.01
93-209		.031 x .140x7/16 Steel Washer (2 Mt. 26-575 or 576)	.01
93-1073		Insulating Washer (used with 78-890)	.02
93-1213		.149 x 3/8 x 3/16 Steel Washer (used on 212-13)	.06
94-295		Gang Capacitor & Speaker Mtg. Bushing (6 used)	.04
94-706		Tuning Slug Insert (1 part of Ea. S-17731 & 40871)	.10
94-773		Insert (1 part of Ea. S-23856, 40870 & 40872)	.06
94-812		Coil Insert Bushing (part of S-20844)	.05
95-1148	T1	1st I. F. Transformer	1.60
95-1149	T2	2nd I.F. Transformer	1.60
95-1369	T3	Audio Output Transformer (part of S-22197)	2.50
113-8		6-32 x 1/4 x 1/4 Hex Hd. Mach. Screw-Lockwasher Att. (1 Mts. Ea. 12-2056 & 22-2282, 2Mt. S-20793 & 6 part of S-40856)	.02
113-13		6-32 x 7/16 x 1/4 Hex Hd. Mach. Screw-Lockwasher Att. (1 used on 22-2520 & 3 on S-22197)	.02
113-18		6-32 x 5/16 x 1/4 Hex Hd. Mach. Screw-Lockwasher Att. (Part of S-40856)	.02
113-19		6-32 x 9/16 x 1/4 Hex Hd. Mach. Screw-Lockwasher Att. (part of S-22197)	.02
113-56		4-40 x 1/4 x 1/4 Hex Hd. Mach. Screw-Lockwasher Att. (2 Mt. 85-520 or 543)	.02
114-39		8-32 x 1/4 x 1/4 Hex Hd. Self-tap Screw (Mts. 12-2053)	.01
114-48		6-32 x 1/4 x 1/4 Hex Hd. Mach. Screw (Part of S-40856)	.01
114-51		6-32 x 1/2 x 1/4 Hex Hd. Mach. Screw (2 used on 22-2520)	.01
114-116		6-32 x 1 1/2 x 1/4 Hex Hd. Mach Screw (Mts. 212-13)	.02
114-157		6-32 x 1/2 x 1/4 Hex Hd. Self-tap Screw (2 used on 26-575 or 576)	.01
114-297		6-32 x 1/4 x 1/4 Hex Hd. Self-tap Screw (1 used on 12-2054; 2 on 85-503 and 3 on S-40856)	.01
114-435		8-32 x 5/16 x 1/4 Hex Hd. Self-tap Screw-flat washer att. (2 Mt. S-20776)	.03
114-437		6-32 x 7/16 x 1/4 Hex Hd. Mach. Screw (2 used on 26-575 & 576)	.02
125-17		Rubber Grommet (6 used)	.03
139-96		Speaker Baffle (part of S-22197)	.25
149-85		Iron Core (part of S-20844)	.10
149-86		Iron Core (1 part of Ea. S-17714, 17715, 17716, 17717, 17718, 17719, 17720, 17721, 17726, 17728, 17729, & 40860)	.10
149-89		Iron Core (1 part of Ea. S-23856)	.10
149-160		Iron Core (1 part of Ea. S-17731, 40870, 40871, and 40872)	.10
188-148		Retaining Ring (used on S-20794)	.02
188-149		Retaining Ring (used on S-20791)	.02
188-168		Retaining Ring (used on S-20794)	.06
196-174		Speaker Gasket	.25
212-9	CR2	Selenium Rectifier	
212-13	CR1	Selenium Rectifier	2.25

100-162		Thermal Resistor
S-14403	L5	R.F. Choke Coil Assem.
S-15785	1W	Battery Cable & Socket Assem.
S-17686		Coil Support Brkt. Assem. (Part of S-40856)
S-17709	L4	Osc. Coil Assem. (B.C.)
S-17714	L19	R.F. Coil Assem. (16M) (part of S-40856)
S-17715	L20	R.F. Coil Assem. (19M) (part of S-40856)
S-17716	L21	R.F. Coil Assem. (25M) (part of S-40856)
S-17717	L22	R.F. Coil Assem. (31M) (part of S-40856)
S-17718	L13	Ant. Coil Assem. (16M) (part of S-40856)

Chassis PartsModels A600 and A600
Chassis 6A40 and 6A4

<u>Part No.</u>	<u>Dia. No.</u>	<u>Description</u>	<u>Price</u>
S-17719	L14	Ant. Coil Assem. (19M) (part of S-40856)	.50
S-17720	L15	Ant. Coil Assem. (25M) (part of S-40856)	.50
S-17721	L16	Ant. Coil Assem. (31M) (part of S-40856)	.50
S-17726	L25	Osc. Coil Assem. (16M) (part of S-40856)	.50
S-17728	L27	Osc. Coil Assem. (25M) (part of S-40856)	.50
S-17729	L28	Osc. Coil Assem. (31M) (part of S-40856)	.50
S-17731	L24A,B	Osc. Coil Assem. (2-4Mc) (part of S-40856)	1.10
S-20776		A.C. Cord & Reel Assem.	7.50
S-20783		Drive Cord & Eyelet Assem. (Gang)	.08
S-20791		Pointer Pulley & Shaft Assem.	.35
S-20793		Dial Mtg. Brkt. & Rivet Assem.	.55
S-20794		Drive Shaft & Pulley Assem.	.60
S-20805		Drive Cord & Eyelet Assem. (Idler)	.08
S-20844	L2	DET Coil Assem. (BC)	.60
S-22197		5 1/4" PM Speaker & Gasket Assem.	10.50
S-23856	L18	2-4 Mc R.F. Coil	
S-23857	L10	Ant. Loading Coil Assem. (part of S-40856)	.85
S-23858	L29	Ant. Coupling Coil Assem.	.65
S-23863		R.F. Terminal Strip Assem.	.20
S-24395		Drive Cord & Eyelet Assem. (Pointer)	.15
S-40856		Bandswitch Brkt. & Coil Assem.	
S-40860	L26	Osc. Coil Assem. (19M) (part of S-40856)	
S-40870	L11	Ant. Coil Assem. (4-9 Mc) (part of S-40856)	
S-40871	L23A,B	Osc. Coil Assem. (4-9 Mc) (part of S-40856)	
S-40872	L17	R.F. Coil Assem. (4-9 Mc) (part of S-40856)	
S-41392	L12	2-4 Mc Antenna Coil	
S-41839	L19	16 M R.F. Coil	
S-41840	L20	19 M R.F. Coil	
S-41841	L21	25 M R.F. Coil	
S-41842	L22	31 M R.F. Coil	

S-20776 A.C. Cord & Reel Parts

11-126	A.C. Cord & Plug (part of S-21892)	
12-2170	Mounting Brkt. - L.H.	.25
12-2171	Mounting Brkt. - R. H.	.25
12-2172	Protective Bracket	.05
27-207	Reel Disc	.30
27-208	Cover Disc	.25
27-209	Tension Spring Ret. Disc.	.10
27-210	Contact Spring Ret. Disc.	.15
27-211	Disc Cover (2 used)	.15
80-1012	Tension Spring	1.10
80-1013	Contact Spring (2 part of No. S-21896 & 21897)	.02
112-947	6-20 x 1/2 Phils. Flat Hd. Self-tap Screw (2 used)	.02
114-174	4-40 x 1/4 x 3/16 Hex Hd. Self-tap Screw (2 used)	.02
S-21892	A.C. Cord & Shaft Assem.	1.25
S-21896	Contact Spring & Wire Assem. - Short	.15
S-21897	Contact Spring & Wire Assem. - Long	.15

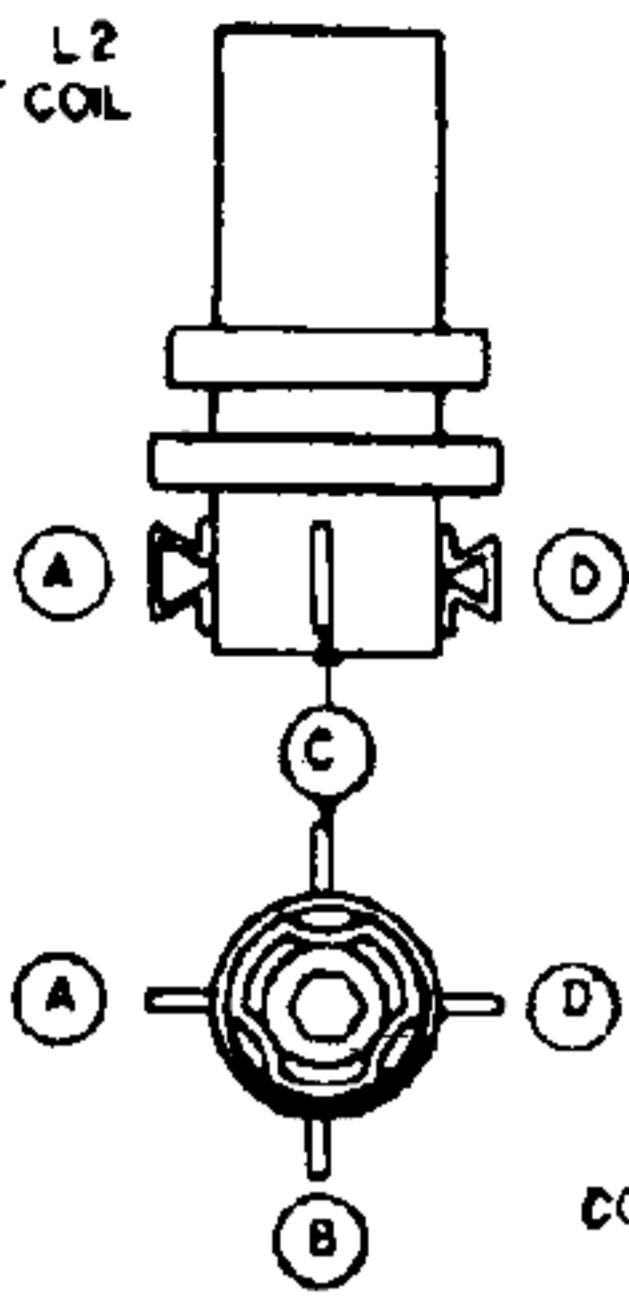
CABINET PARTS LISTCabinet Parts

2985X	Complete Battery Pack	
12-1082	Telescoping Ant. Mtg. Brkt.	
12-2058	Inside Cover Hinge Brkt. (2 used on 43-234 or 245)	
14-1633	Model A600 Portable Cabinet	
14-1675	Model A600L Portable Cabinet	
16-1290	Packing Carton	

19-253		Battery Ret. Clip	.07
19-258		Retaining Clip (3 used)	.03
24-670		Inside Front Cover (used on 43-234)	1.80
24-671		A. C. Plug Cover (used on Model A600 only)	.15
24-695		Inside Front Cover (used on 43-245)	1.95
24-696		A. C. Plug Cover (used on Model A600L only)	.45
36-110		Cabinet Handle (part of 14-1675)	1.00
36-111		Cabinet Handle (part of 14-1633)	1.00
40-73		Cabinet Back Cover Hinge (2 part of cabinet)	.25
40-147		Inside Cover Stop Hinge	.15
43-233		Wavemagnet Ant. Housing (part of S-22865)	1.25
43-234		Cover Housing (used on Model A600 only)	1.65
43-244		Wavemagnet Ant. Housing (part of S-22892)	1.60
43-245		Cover Housing (used on Model A600L only)	1.80
44-29	J2	Headphone Jack	.75
46-912		Band Switch Knob (7 used on Model A600 only)	.10
46-913		Tuning Knob (used on Model A600)	.15
46-1242		Volume Control Knob (used on Model A600)	.30
46-1288		Band Switch Knob (7 used on Model A600L only)	.10
46-1289		Tuning Knob (used on Model A600L)	.30
46-1290		Volume Control Knob (used on Model A600L)	.30
49-748	LS1	5 1/4" PM Speaker	
54-341		8-32 x 1/4 x 3/32 Hex Nut (2 Mt. S-15802 or S-21433)	.02
54-369		Cable Retaining Nut (2 used)	.05
54-391		3/8 - 32 Hex Nut (used on Chassis)	.04
56-320		Inside Cover Hinge Pin	.20
57-1520		Adapter Socket Cover Plate	.15
57-1725		Emblem Plate (used on 24-670 or 695)	.20
57-2318		Escutcheon (Model A600)	
57-2319		Escutcheon (Model A600L)	
58-157		Battery Plug	.05
58-179	P1	3 Prong Plug (part of S-20809)	.15
58-182	P2	Adapter Plug	
69-108		6-32 x 1/4 Rd. Hd. Mach. Screw (2 part of S-22866 or 22893)	.02
69-292		4-40 x 1/4 Phils. Rd. Hd. Mach. Screw (2 Mt. 85-542 or 550)	.03
70-166		6 x 1/2 Phils. Rd. Hd. Wood Screw (used on chassis)	.02
70-168		4 x 1/2 Phils. Rd. Hd. Wood Screw (3 used on 57-2318 or 2319)	.02
70-169		4 x 3/4 Phils. Rd. Hd. Wood Screw (4 used on 57-2318 or 2319)	.02
70-189		6 x 5/16 Rd. Hd. Wood Screw (1 Mt. Ea. 19-258)	.03
70-202		4 x 3/8 Phils. Bind Hd. Mach. Screw (Mts. 40-147)	.04
70-214		6 x 1/2 Phils. Rd. Washer Hd. Wood Screw (1 used on 19-253 and 2 on S-22866 or 22893)	.04
72-115		3 x 3/8 Phils. Flat Hd. Wood Screw (1 used on Ea. 159-49)	.03
72-121		4 x 3/8 Phils. Flat Hd. Wood Screw (3 used on 24-671 or 696 and 5 on 43-234 or 245)	.03
78-985		Dial Light Socket	.20
80-976		Cover Return Spring (2 used on 24-670 or 695)	.10
83-1617		Pull Tab (part of S-20809)	.06
83-1876		Push Button Felt Strip	.15
83-2320		Felt Strip	.07
83-2422		Wavemagnet Ant. Mtg. Strip (part of S-22866)	.30
83-2423		Wavemagnet Ant. Mtg. Strip (part of S-22893)	.30
85-542	S6	Momentary Contact Switch (S.P.) (Used on Model A600)	.40
85-550	S6	Momentary Contact Switch (S.P.) (Used on Model A600L)	.45
86-254		Terminal (3 used)	.03
93-126		Lockwasher (2 used on S-15802 or 21433)	.01
93-132		.038 x 11/64 x 7/16 Steel Washer (1 used with ea. 112-919)	.01
93-799		Brass Washer (1 used on Ea. S-22864 or 22891)	.02
93-1188		Lockwasher (2 used on Chassis)	.03
93-1195		Brass Washer (used on Chassis)	.03
97-367		Handle Mtg. Stud (2 part of Cabinet)	.25
97-428		Wavemagnet Ant. Ret. Stud (2 part of S-22893 or 22866)	.20
97-441		Wavemagnet Ant. Mtg. Stud (part of S-22864 or 22891)	.10
100-171	PL1	Pilot Light Bulb	.20
112-419		Mach. Screw (2 part of cabinet)	.03
112-919		Screw (2 used on S-22865 or 22892)	.08

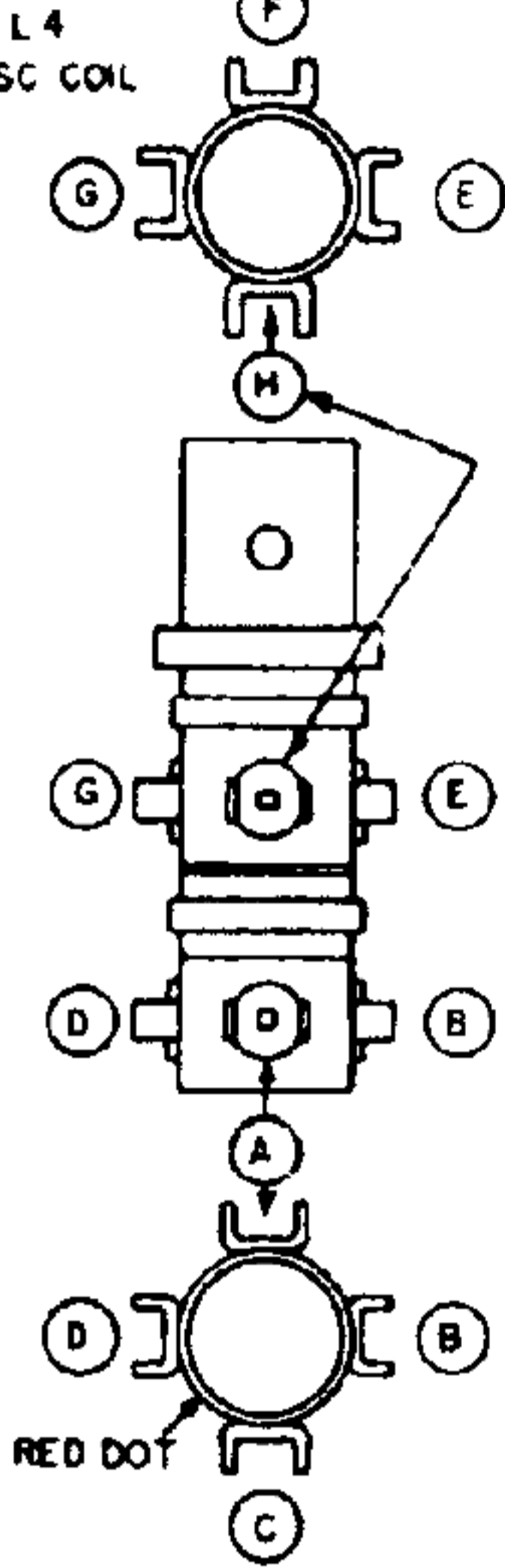
112-920		6-20 x 3/8 Phils. Bind. Hd. Self-tap Screw (4 part of S-22865 or 22892)	02
114-197		Hexagon Washer Hd. Self-tap Screw (2 used on Chassis)	.02
114-294		6-20 x 1/4 x 1/4 Hex Hd. Self-tap Screw (2 used on Ea. 12-2058)	.02
114-446		6-32 x 1/4 x 1/4 Hex Hd. Self-tap Screw (used on 57-1520)	.02
156-42		Door Latch - Upper Half (part of cabinet)	1.25
156-43		Door Latch - Lower Half (part of cabinet)	1.25
157-7		Strike Fastener (2 part of cabinet)	.08
157-8		Strike Fastener (2 part of cabinet)	.05
159-49		Snap Button (2 used on cabinet & 2 part of Ea. S-22864 & 22891)	.01
166-75		Recessed Bumper (4 part of cabinet)	.10
199-160		Ant. Ins. Sleeve (2 used)	.08
202-1105		Special Booklet	.15
202-1199		Short Wave Program List	.10
202-1246		Short Wave Chart Book	
202-1247		Operating Guide	
202-1248		Service Notes	
S-15635		Wavemagnet Ant. Suction Cup Assem. (2 used)	.15
S-15715	B1	Voltage Adapter Assembly	
S-15722		Ant. Knob & Latch Spring Assem. (part of S-15802)	.55
S-15802	E1	Telescoping Ant. Assem. (used on Model A600 only)	9.00
S-20799		Front Cover Hinge Assem. - Left (part of 14-1633)	.75
S-20800		Front Cover Hinge Assem. (part of 14-1633)	.75
S-20809		Cable & Plug Assem. (part of S-22865 or 22892)	.40
S-20811		Wavemagnet Ant. Wdg. Assem. (part of S-22865 or 22892)	2.00
S-21424		Front Cover Hinge Assem. - Left (part of 14-1675)	.85
S-21425		Front Cover, Hinge, Assem. - Right (part of 14-1675)	.85
S-21432		Ant. Knob & Latch Spring Assem. (part of S-21433)	.60
S-21433		Telescoping Ant. Assem. (used on Model A600L only)	8.80
S-22864		Wavemagnet Ant. Cover Riveting Assem. (part of S-22865)	1.70
S-22865	L1	Wavemagnet Ant. - Complete (used on Model A600 only)	6.00
S-22866		Wavemagnet Ant. Mtg. Strip Assem. (used on Model A600 only)	.65
S-22891		Wavemagnet Ant. Cover Assem. (part of S-22892)	1.95
S-22892		Wavemagnet Ant. - Complete (used on Model A600L only)	6.65
S-22893		Wavemagnet Ant. Mtg. Strip Assem. (used on Model A600L only)	.65

L2
DET COIL



CODE

L4
OSC COIL



RED DOT

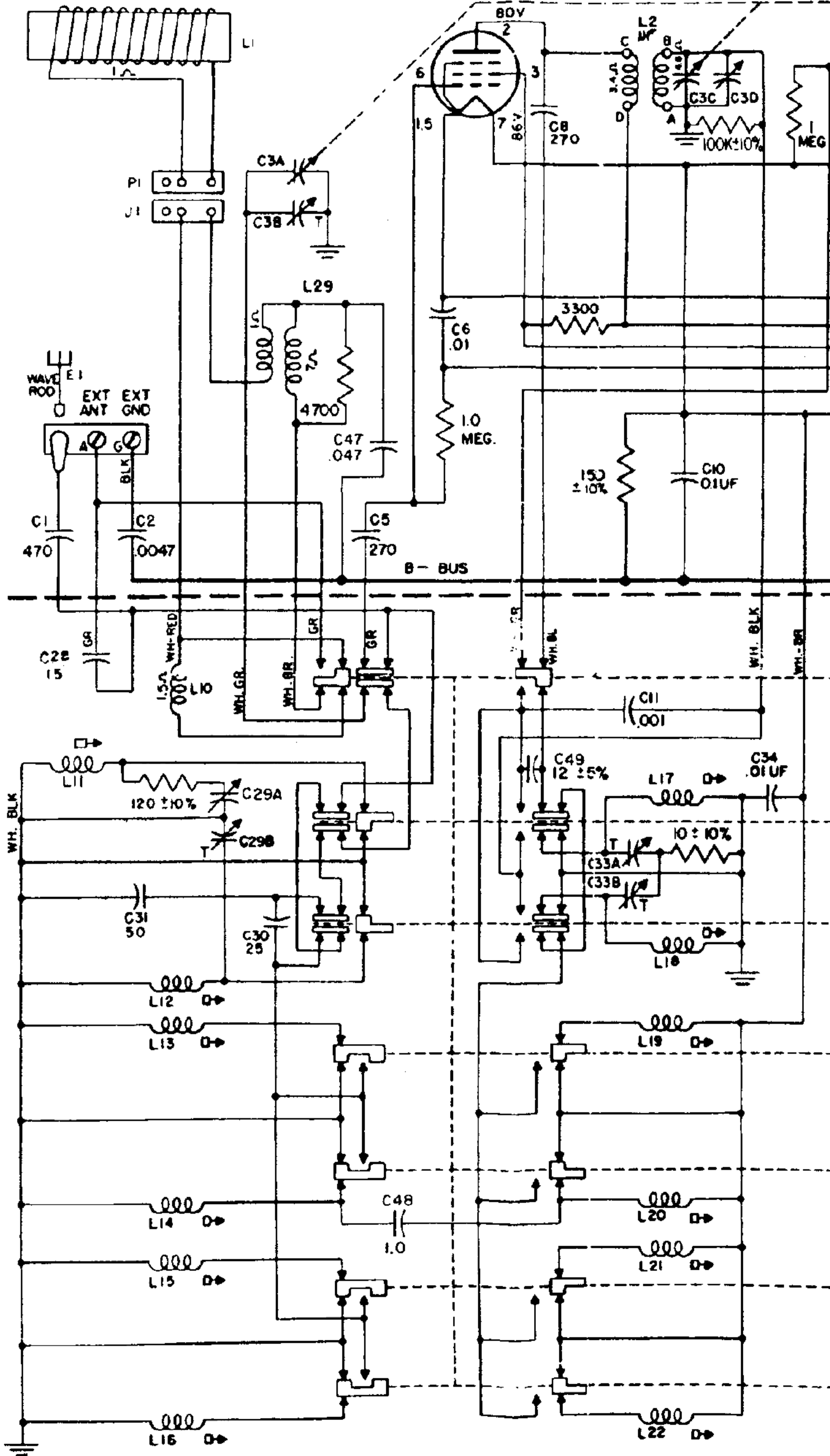
LOOP

28X
AT
600KC

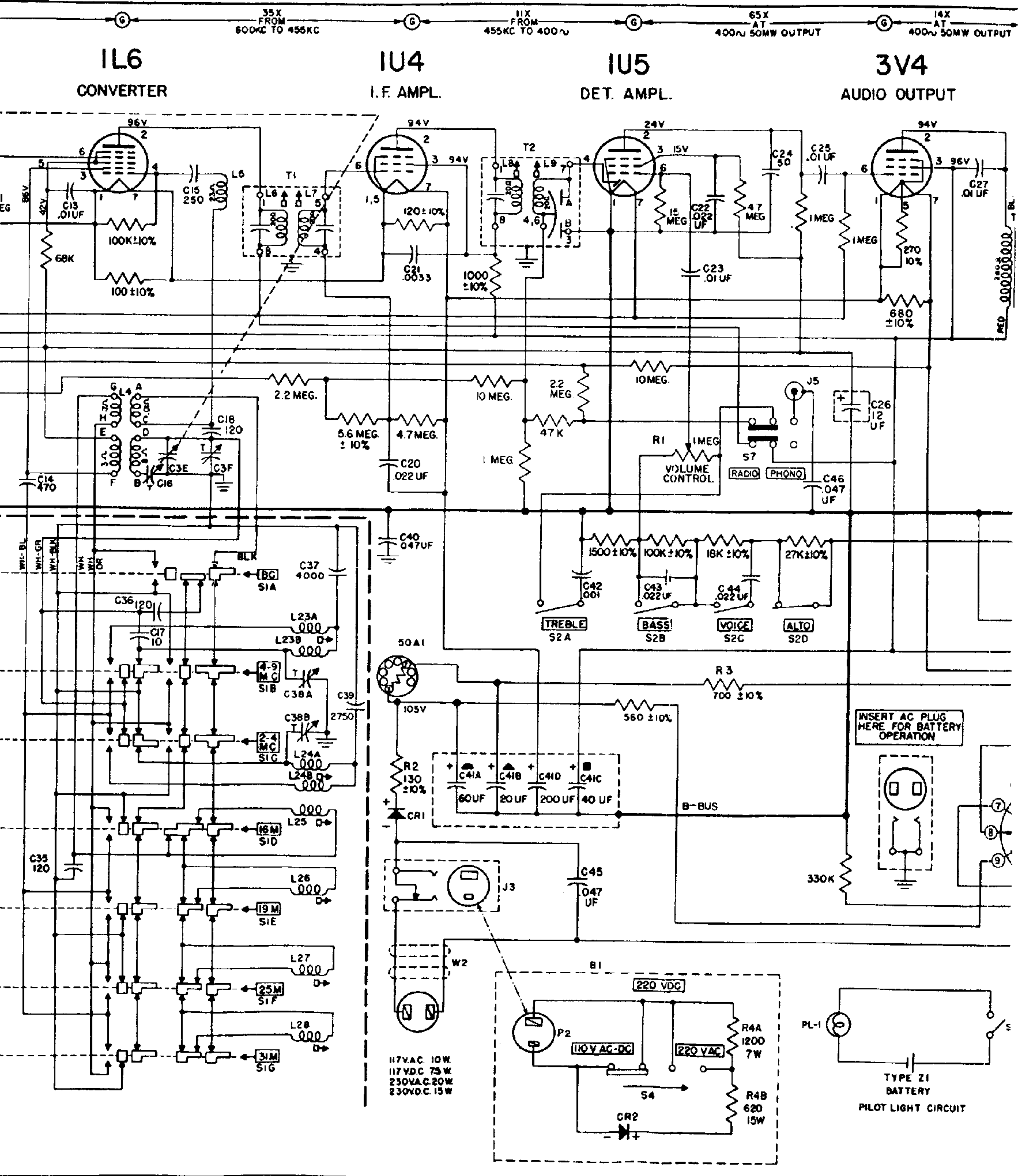
6.6X
AT
600KC

1U4

R.F. AMPL.



MODELS A600 AND A600L CHASSIS 6A40 AND 6A41

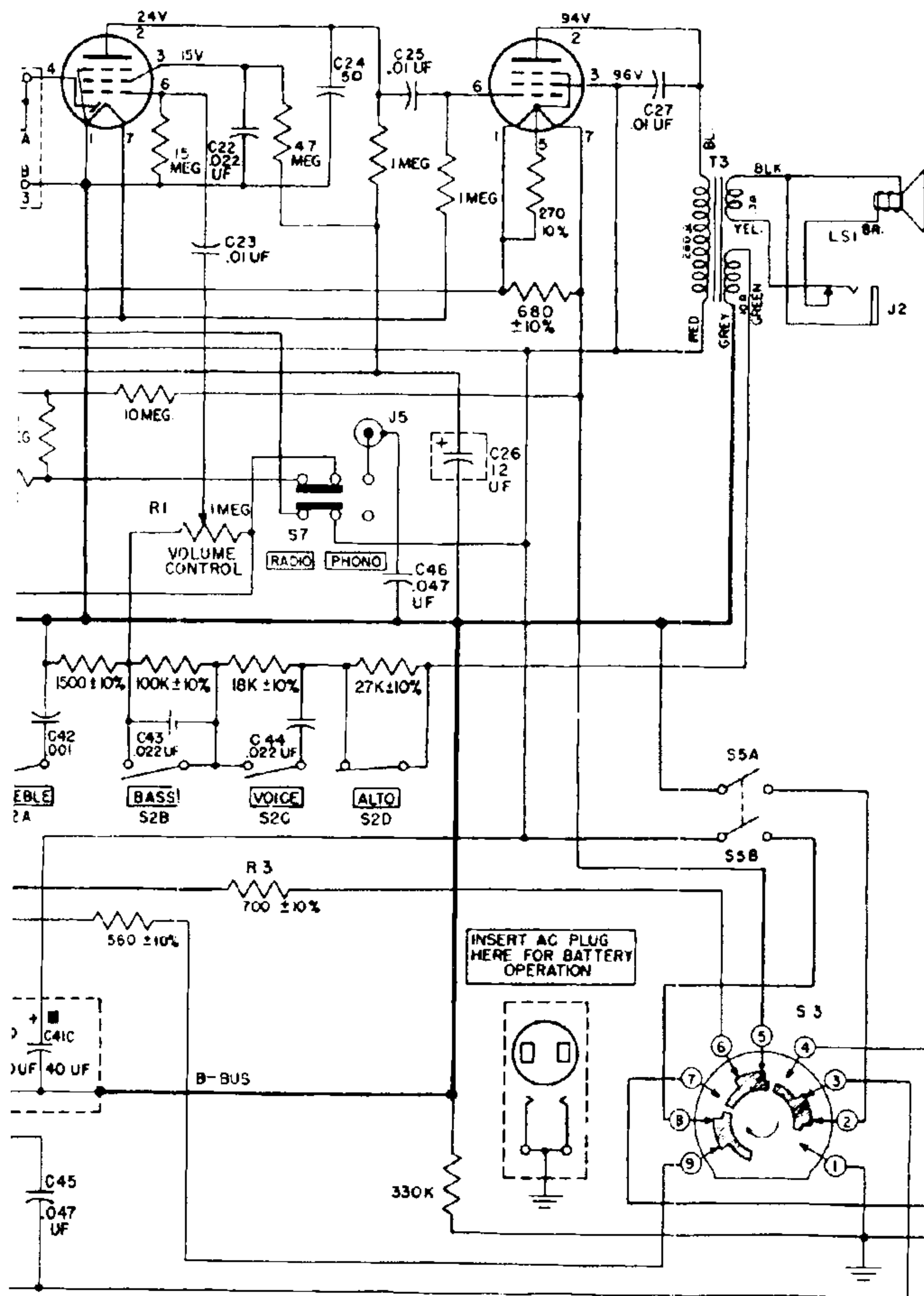


ZENITH RADIO CORPORATION

65X AT 400~50MW OUTPUT 14X AT 400~50MW OUTPUT

IU5 DET. AMPL.

3V4 AUDIO OUTPUT



NOTES

1. RESISTANCE VALUES IN OHMS, CAPACITANCE IN MMF. UNLESS OTHERWISE SPECIFIED.
2. IF TRANSFORMER NUMBERING STARTS WITH #1 TERMINAL AS FIRST TERMINAL CLOCKWISE AND ADJACENT TO MARKER, AS VIEWED FROM THE BOTTOM OF CHASSIS
3. ALL SECTIONS OF BAND SELECTOR SWITCH S1 SHOWN IN NONOPERATING POSITION. IN OPERATING POSITIONS SLIDING CONTACTS MOVE TO THE LEFT
4. ALL TONE BUTTONS S2 SHOWN IN RIGHT POSITION AS VIEWED FROM THE FRONT OF CABINET
5. S3 POWER CHANGEOVER SWITCH SHOWN IN POSITION FOR POWER LINE OPERATION
6. POWER ADAPTER SWITCH S4 SHOWN IN 110 VOLT AC-DC POSITION.
7. ALL VOLTAGES MEASURED FROM COMMON RETURN TO POINTS INDICATED WITH A VACUUM TUBE VOLTMETER. — SET OPERATING ON 117 V AC
8. ALL RESISTORS ARE ± 20% TOLERANCE, 1/2 WATT CARBON UNLESS OTHERWISE SPECIFIED.
9. RADIO PHONO SWITCH S7 SHOWN IN RADIO POSITION

TUNING RANGES

540	1600 KC
4 MC	9 MC
2 MC	4 MC
174	10.2 MC
14.8	15.6 MC
11.5	12.1 MC
9.4	9.8 MC

I.F. FREQUENCY 455 KC
BATTERY PACK NO Z-985

⊥
DENOTES
CHASSIS

